


PRODUCT SHEET

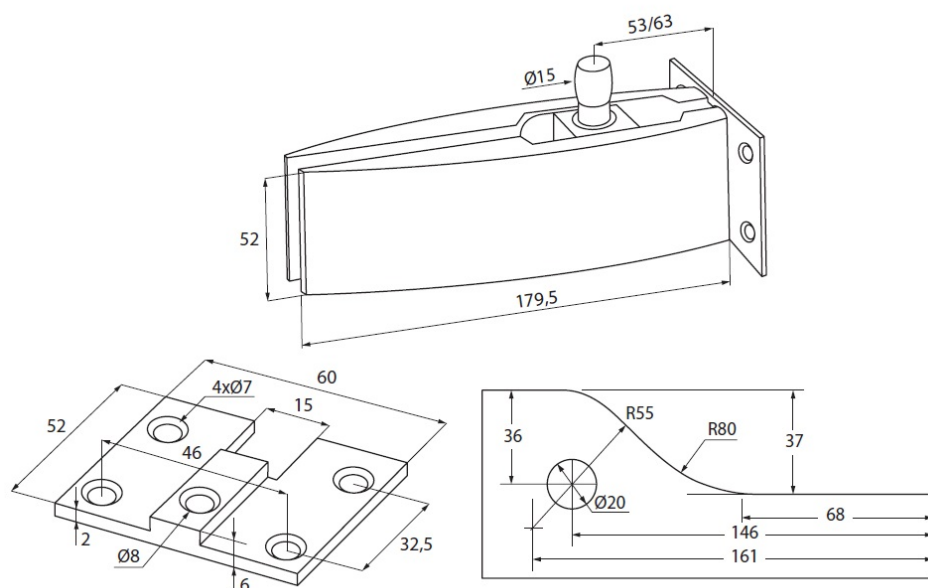
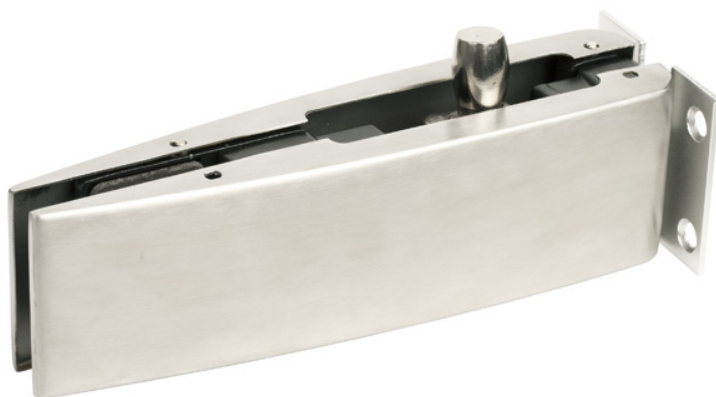
Description:

Wall Mounting Fitting "Lex" 52x179,5mm, SS304-Brushed, 10-12mm Glass, w/2pcs. 1mm & 2 pcs. 2mm Gaskets(Not Glued)

Item number:

17.87.338-0

Units	Box	Carton	HS Code	Barcode
Pcs.	1	20	8302415000	 5704866453035



SISO A/S

Mileparken 11
DK-2740 Skovlunde
Denmark
VAT: DK 24786013

Phone +45 45 830 900

www.siso.dk
siso@siso.dk

Danske Bank
Nytorv Branch
Copenhagen
SWIFT: DABADKKK

Account no.
4180 3112 112936
IBAN Account
DK7230003112112936